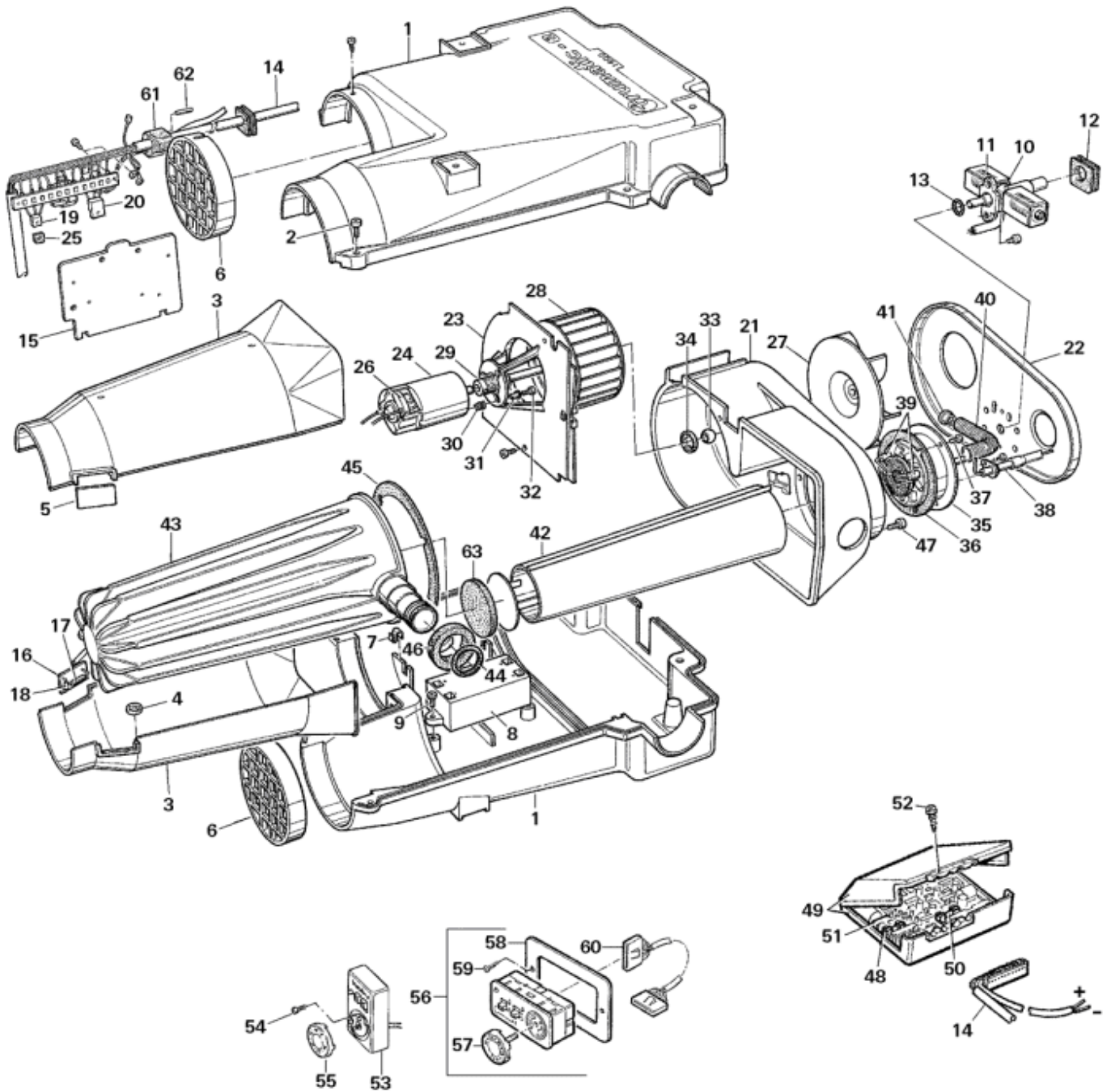


Truma Heating Schematics, Trumatic E 1800.

Schematic pages provide a way to quickly locate parts and their relevant part numbers.



Trumatic E 1800



Pos Part Number Description

01	39080-05000	Case complete, only complete available
----	-------------	--

02	39010-16400	PT-Screw KA50 x 14
03	39080-10400	Inner tube semishell
04	30010-19800	Starlock washer
04x	39080-43200	Seal strap, 3,2 x 5 x 310 mm (not illustrated)
04x	39080-26100	Round cord seal, Ø 2 x 950 (not illustrated)
05	39080-12600	Seal plate
06	39080-14800	Air intake grill
07	39080-17300	Cable clamp, UK 11 536
08	39050-19000	Ignitor 12 V
09	39010-22600	PT screw S 40 x 10
10	39080-05400	Solenoid valve E 18, 30 mbar
10	39080-05300	Solenoid valve E 18, 50 mbar
11	39080-05100	Solenoid coils, low and high
12	39080-13200	Bush
13	10030-20000	O-ring 8 x 1.5 mm
14	39080-32300	Cable harness E 18, 24 V
14	39080-32200	Cable harness E 18, 12 V
15	39080-12400	Heat conducting plate
16	39080-03500	Thermostat plate complete
17	39010-15700	Fuse 184°C
18	39080-18600	Temperature sensor
19	39010-51900	Transistor BD 680
20	39080-19700	Voltage regulator 7812, only for 24 V
21	39080-00200	Air box
22	39080-10200	Air box cover
23	39080-10100	Motor flange
24	39080-17100	D.C. Motor 24 V

24	39080-17000	D.C. Motor 12 V
25	39010-48900	Insulation sheet, Comerix
26	39010-17400	Carbon brushes red/black
27	39080-00800	Combustion air wheel
28	39080-18700	Fan wheel
29	39080-12900	Shaft coupling
30	40010-11400	Vibration absorber
31	39080-16000	Spacer bush
32	10010-83200	Screw M 3.5 x 12
33	39080-17500	Dome bearing
34	39080-17400	Bearing spring
35	39080-12000	Burner pot gasket
36	39080-00400	Burner pot
37	10010-80700	Screw M 3 x 10
38	39080-03600	Flame rectification electrode, complete with insulation tube (ca. 5 cm)
39	39080-03700	Spark electrode, complete with insulation tube (ca. 20 cm) 1 off
40	39080-18100	Flexible tube, Ø 12.5 mm
41	39080-14000	Injector 24 V, Ø 7.5 mm
41	39080-13900	Injector 12 V, Ø 7.7 mm
42	39080-00300	Flame tube
43	39080-10300	Heat exchanger
44	10030-23400	O-ring 16 x 2.5
45	39080-11900	Heat exchanger gasket
46	39080-10500	Sealing ring
47	10010-50100	Screw M 4 x 12, VA
48	39050-47100	Electronic 24 V, Exchange price, when returning the defective electronic to the factory

48	39050-47000	Electronic 12 V, Exchange price, when returning the defective electronic to the factory
49	39020-02500	Electronic housing complete
50	39050-53900	Fuse 3.15 AT
51	39010-10900	Fuse 1.25 AF
52	39080-24600	PT-screw KB 30 x 12
53	39010-73900	Control panel surface type 10 m
54	10010-79200	Screw B 2.9 x 38
55	39010-84000	Control knob complete
56	39050-35000	Control panel (flush fit), without cable
57	39050-35500	Control knob
58	39010-86700	Mounting frame
59	10010-78900	Screw B 2.9 x 25
60	39050-36800	Control panel cable 10 m
60	39050-36700	Control panel cable 4 m
61	39080-12500	Bush
62	39080-17600	Dowel pin, 3 x 20
63	39080-16200	Insulation sheet